

# GS EVO SILENCE 20S6 800X525

THE SILENT ITALIAN MADE HAND PALLET TRUCK



The GS EVO Silenced hand pallettruck has been designed to strongly reduce the noise emission even in the worse working condition: rough and tiled surfaces. The result is an ideal machine for the usage on residential areas deliveries and in supermarket stores

## GS SILENCE - PIEK CERTIFIED

In 1998 the Dutch Government set out standards for noise emission during loading and unloading in retail trade and craft businesses. This resulted in a project called PIEK and in 2004 in the PIEK certification scheme for vehicles and equipment operating under 60dB(A) which will be suitable for use in night time deliveries without causing noise disturbance.

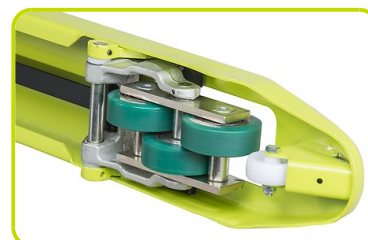
The GS SILENCE HPT is PIEK Certified.



## TRIPLE ROLLERS AND REDUCED TOLLERANCES

On order to have a significant sound emission reduction, the HPT is equipped with:

- Triple rollers in SOFT POLIURETHANE (75 Shore)
- Solid push roads
- Zinc plated Clevis with reduced tollerances holes
- Pins with reduced tollerances



## REDUCED VIBRATION

Reduced vibration trough plastic bushing on all the metal on metal junctions and rubber steering wheel as standard.

Modified handle with a TIE-ROD covered with with rubber.



## Description

1.1 Manufacturer			LIFTER
1.3 Drive			Manual
1.4 Operator type			Pedestrian
1.5 Load capacity	Q	Kg	2000
1.6 Load centre distance	c	mm	400
1.8 Load axle to end forks	x	mm	582
1.9 Wheel base	y	mm	842

## Weights

2.1 Service weight		Kg	72
2.2 Axle load, laden rear		Kg	1594
2.2 Axle load, laden front		Kg	478
2.3 Axle load, unladen rear		Kg	26
2.3 Axle load, unladen front		Kg	46

## Tyres/Chassis

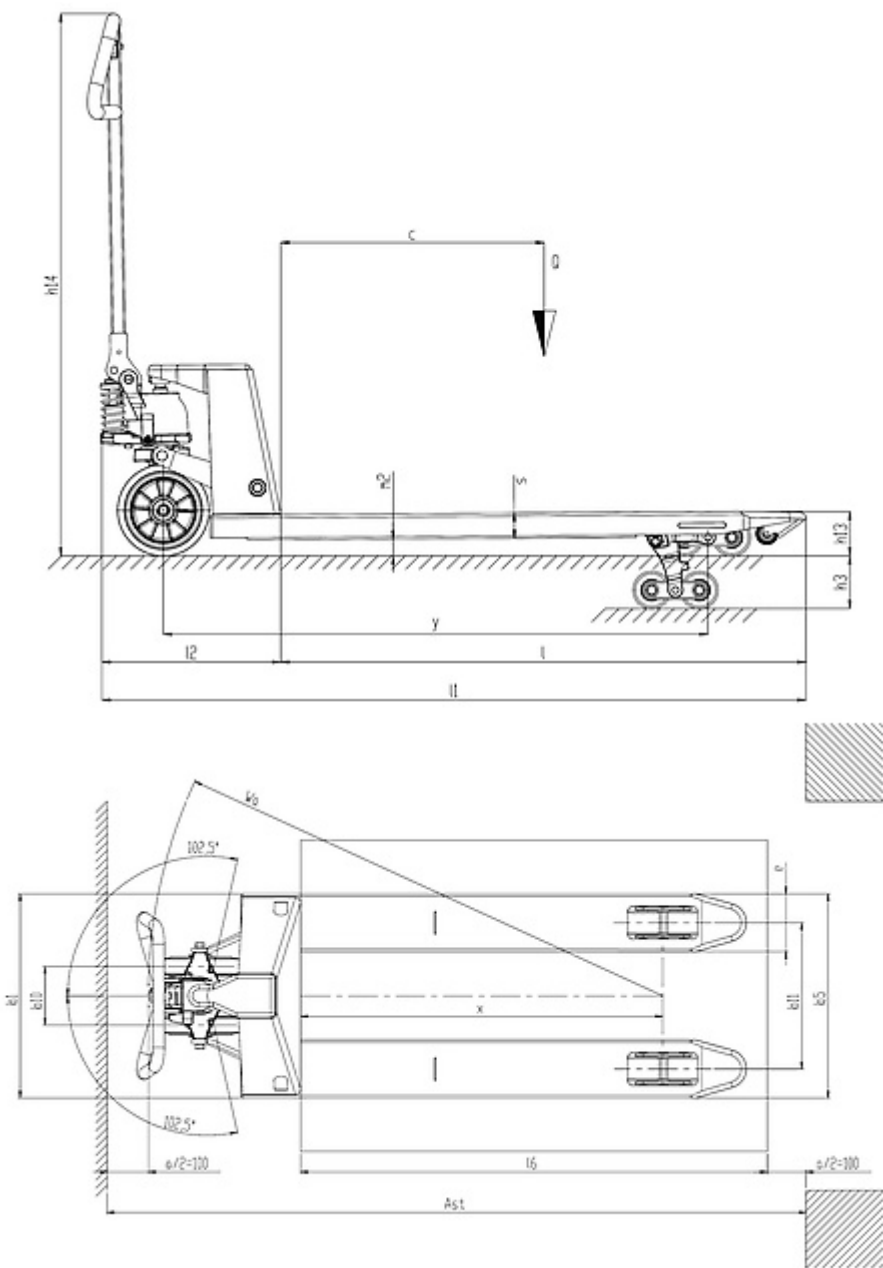
3.1 Tyres: front wheels			RUBBER/ ALUMINIUM
3.1 Tyres: rear wheels			POLY.C
3.2 Tyre size: Steering wheels - Diameter	mm		200
3.2 Tyre size: Steering wheels - Width	mm		50
3.3 Tyre size: Load rollers - Diameter	mm		80
3.3 Tyre size: Load rollers - Width	mm		30
3.5 Tyre size: rear wheels - Q.ty (X=driven)		nr	6
3.5 Tyre size: front wheels - Q.ty (X=driven)		nr	2
3.6 Tread, front	b10	mm	155
3.7 Tread, rear	b11	mm	375

## Dimensions

4.4 Lift height	h3	mm	115
4.9 Height of tiller in drive position max	h14	mm	1185
4.9 Height of tiller in drive position min	h14	mm	710
4.15 Height, lowered	h13	mm	85
4.19 Overall length	l1	mm	1200
4.20 Length to face of forks	l2	mm	400
4.21 Overall width	b1	mm	525
4.22 Fork dimensions - Thickness	s	mm	55
4.22 Fork dimensions - Width	e	mm	150
4.22 Fork dimensions - Length	l	mm	800
4.25 Distance between fork arms	b5	mm	525
4.32 Ground clearance, centre of wheelbase	m2	mm	30
4.34 Aisle width	Ast	mm	1673
4.35 Turning radius	Wa	mm	1017

## Performance data

5.2 Lifting speed laden	strokes		12
5.2 Lifting speed unladen	strokes		12
5.3 Lowering speed laden	m/s		0.06
5.3 Lowering speed unladen	m/s		0.02



The information is aligned with the Data file at the time of download. Printed on 13/09/2021 (ID 13401)

©2021 | PR INDUSTRIAL s.r.l. | All rights reserved | Image shown may not reflect actual package. Specifications subject to change without notice

